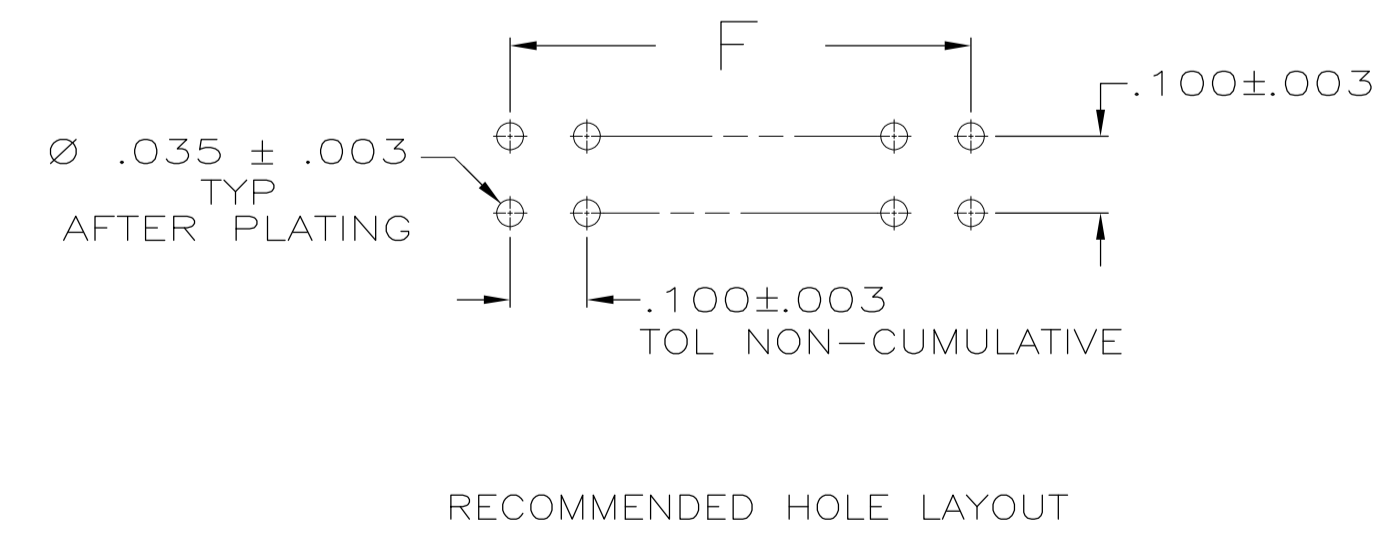
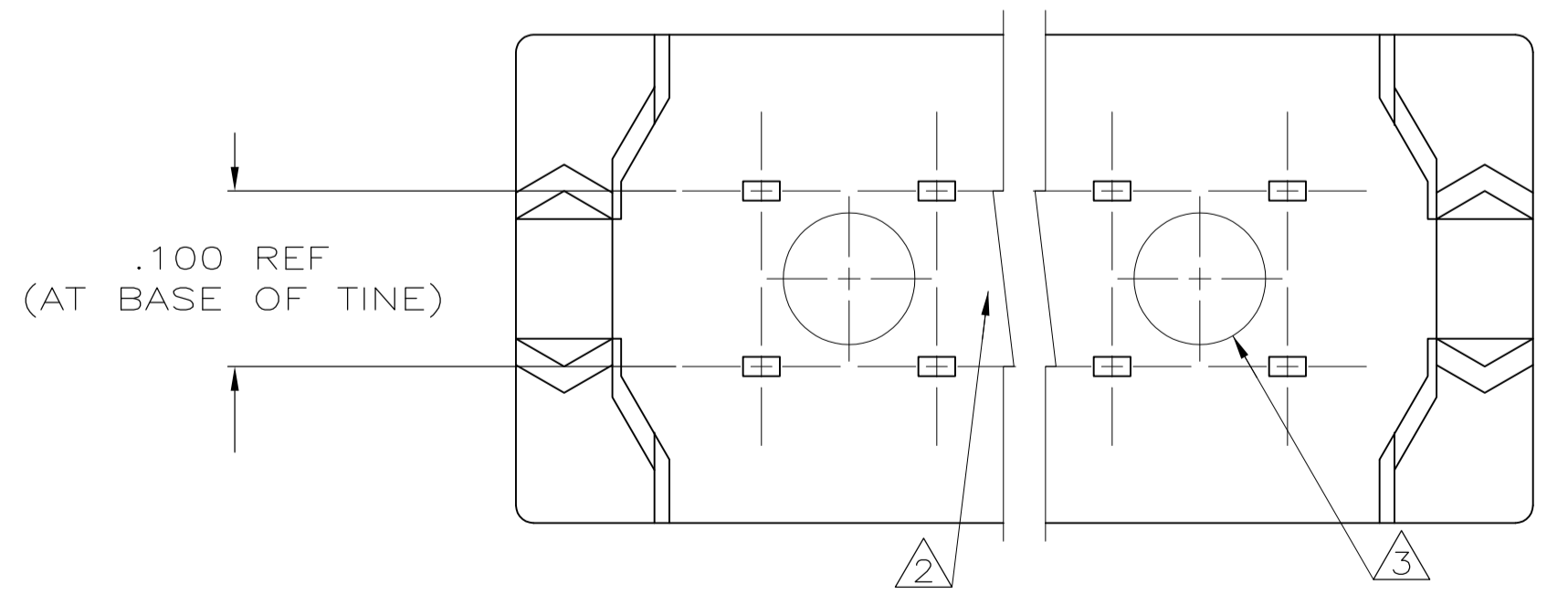
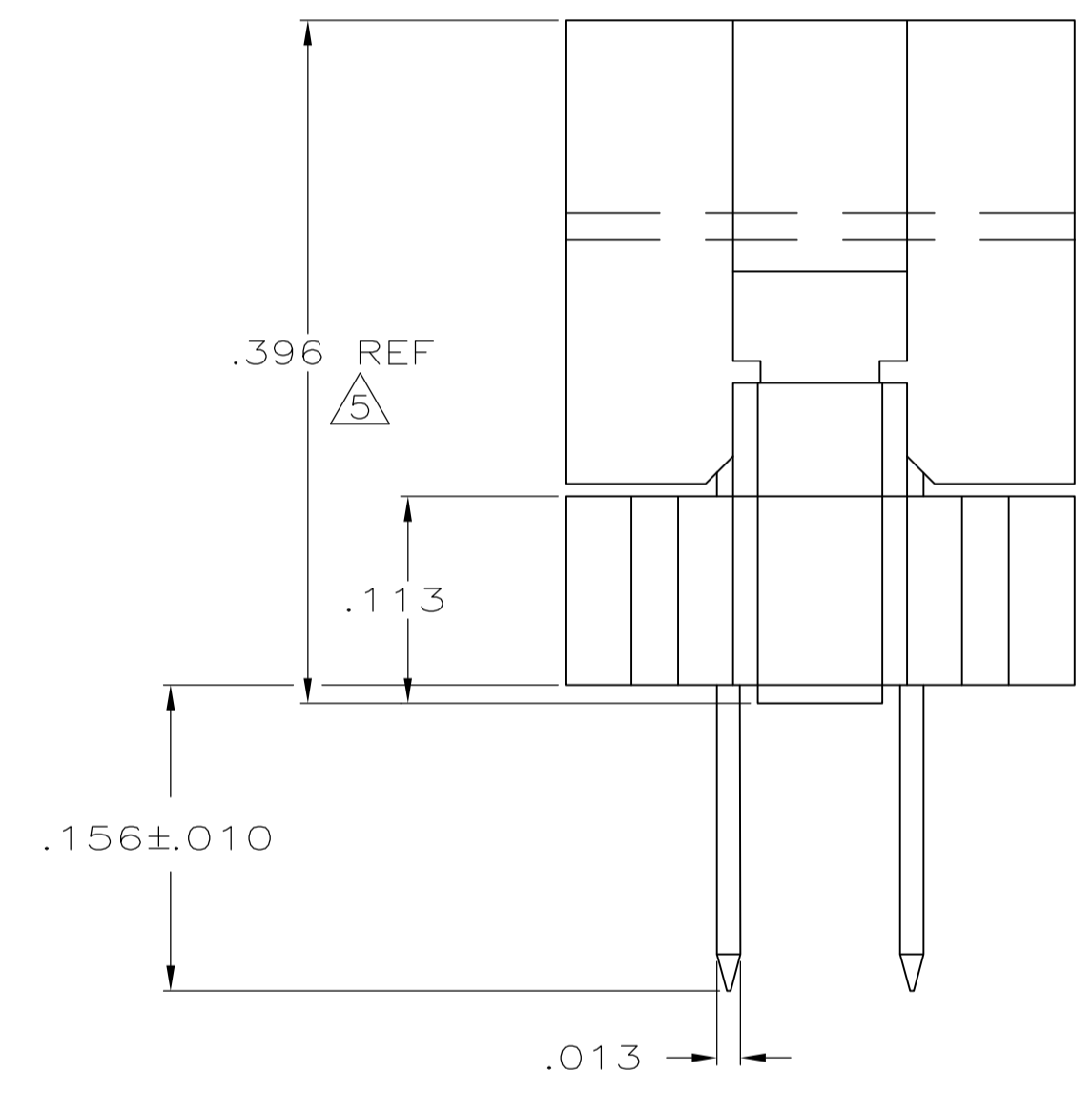
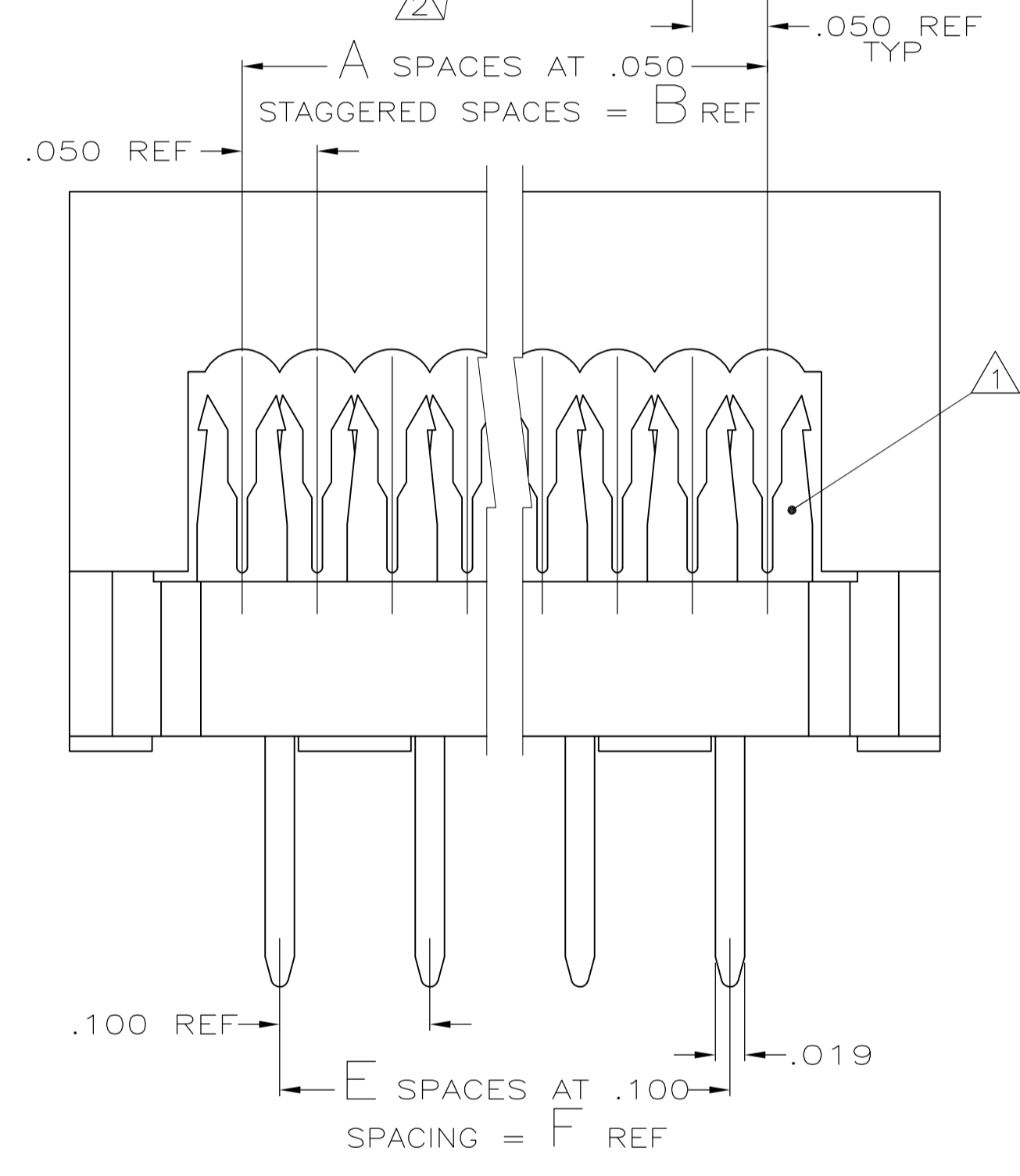
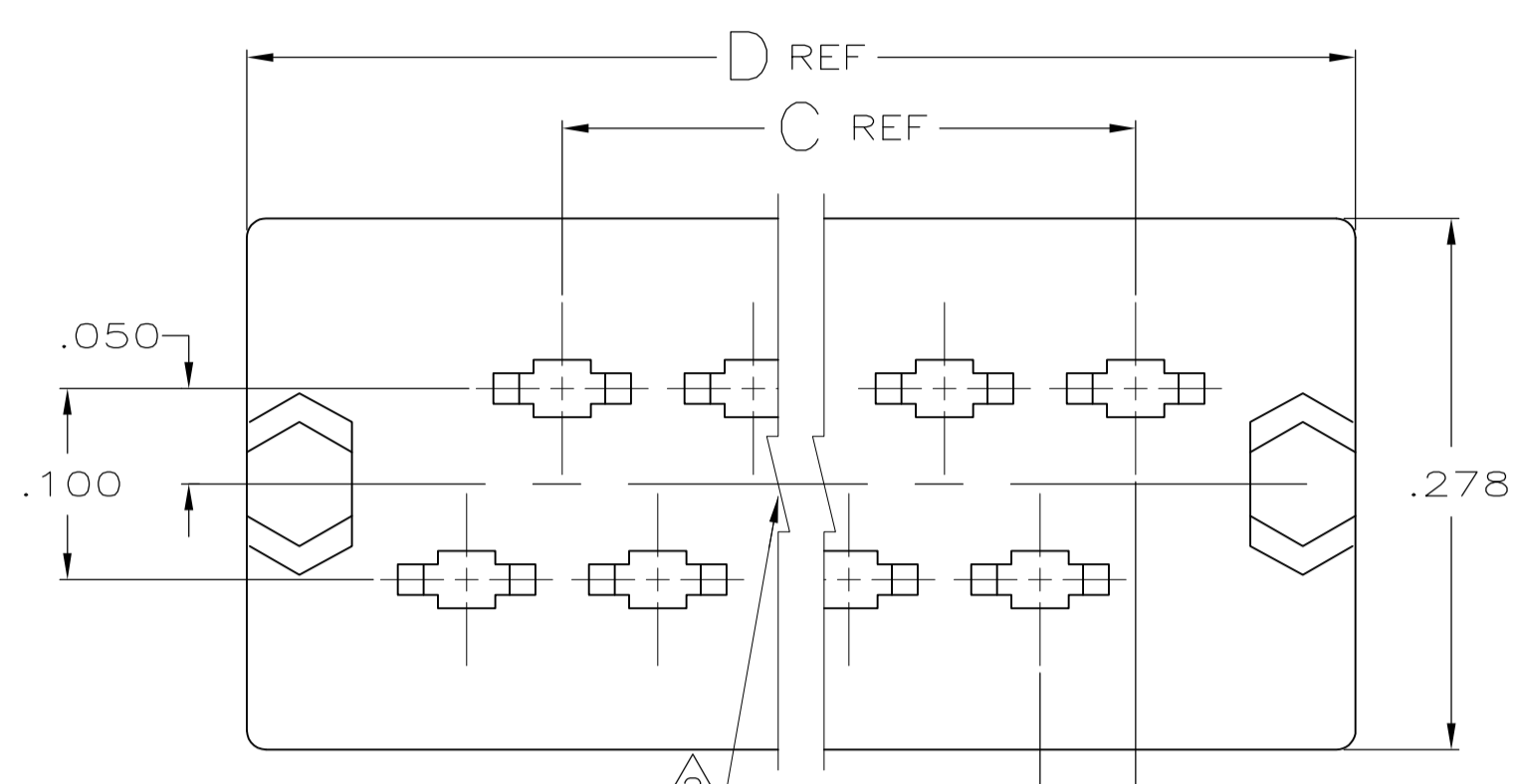


- ⚠ CONTACTS DESIGNED FOR 26 & 28 AWG STRANDED OR 26, 28, & 30 AWG SOLID WIRE.
- ⚠ AMP TRADEMARK LOCATED IN APPROX AREA SHOWN.
- ⚠ STANDOFFS: POS 10 (2) STANDOFFS AS SHOWN.
 14-16 (3) STANDOFFS, (1) CENTERED BETWEEN (2) SHOWN
 20-26 (4) (2)
 30 (5) (3)
 34 (6) (4)
 40-44 (7) (5)
 50 (8) (6)
 60 (9) (7)
 64 (10) (8)
- ⚠ .000100-.000200 BRIGHT TIN LEAD, ALL OVER .000050 NICKEL.
- ⚠ HEIGHT AFTER TERMINATION IS .253 REF.
- ⚠ .000005 MIN GOLD ON RIBBON CABLE TERMINATION AREA
 .000100-.000200 MIN MATTE TIN ON SOLDER TAILS, ALL OVER .000050 MIN NICKEL.
- ⚠ MOLDED PARTS, 94V-0 RATED THERMOPLASTIC, COLOR: BLACK. CONTACTS: PHOS BRONZE.



⚠	2.100	21	2.380	2.100	2.150	43	44	2-746610-6
⚠	3.100	31	3.380	3.100	3.150	63	64	2- -5
⚠	2.900	29	3.180	2.900	2.950	59	60	2- -4
⚠	1.100	11	1.380	1.100	1.150	23	24	2- -3
⚠	.600	6	.880	.600	.650	13	14	2- -2
⚠	.400	4	.680	.400	.450	9	10	2- -1
⚠	2.400	24	2.680	2.400	2.450	49	50	2- -0
⚠	1.900	19	2.180	1.900	1.950	39	40	1- -9
⚠	1.600	16	1.880	1.600	1.650	33	34	1- -8
⚠	1.400	14	1.680	1.400	1.450	29	30	1- -7
⚠	1.200	12	1.480	1.200	1.250	25	26	1- -6
⚠	.900	9	1.180	.900	.950	19	20	1- -5
⚠	.700	7	.980	.700	.750	15	16	1- -4
OBSOLETE	2.100	21	2.380	2.100	2.150	43	44	1- -3
OBSOLETE	3.100	31	3.380	3.100	3.150	63	64	1- -2
OBSOLETE	2.900	29	3.180	2.900	2.950	59	60	1- -1
OBSOLETE	2.400	24	2.680	2.400	2.450	49	50	1- -0
⚠	1.900	19	2.180	1.900	1.950	39	40	1- -9
⚠	1.600	16	1.880	1.600	1.650	33	34	1- -8
OBSOLETE	1.400	14	1.680	1.400	1.450	29	30	1- -7
⚠	1.200	12	1.480	1.200	1.250	25	26	1- -6
OBSOLETE	1.100	11	1.380	1.100	1.150	23	24	1- -5
⚠	.900	9	1.180	.900	.950	19	20	1- -4
⚠	.700	7	.980	.700	.750	15	16	1- -3
⚠	.600	6	.880	.600	.650	13	14	1- -2
⚠	.400	4	.680	.400	.450	9	10	746610-1
CONTACT FINISH	F	E	D	C	B	A	NO OF POSN	PART NO

THIS DRAWING IS A CONTROLLED DOCUMENT.

DIMENSIONS: INCHES	TOLERANCES UNLESS OTHERWISE SPECIFIED:	DIN L VARELA - DOCKS 11-29-86	TE Connectivity
0 PL ± -	1 PL ± -	C. ROHDE 11-29-04	NAME
2 PL ± -	3 PL ± .005	M. WALMSLEY 11-29-04	KIT, AMP-LATCH DIP PLUG, PREASSEMBLED, .100 X .100 CENTERS.
4 PL ± -	ANGLES ± -		PRODUCT SPEC 108-40013
MATERIAL	FINISH CONTACTS: SEE TABLE		APPLICATION SPEC 114-40005
			SIZE CAGE CODE DRAWING NO. RESTRICTED TO
			A1 00779 746610
			WEIGHT
			CUSTOMER DRAWING SCALE NTS SHEET 1 OF 1 REV H1